

Universal Power Distribution Unit

**RN3247 / RN3248 / RN3249**

**UPDU RCM Module/Outlet Metered**

**3x32A 36C13 12C19 black / red / blue**



## Product features

<b>Modularity</b>	Yes, fully modular design, all modules assembled from the front and easily replaceable
<b>Metering</b>	Voltage (V), Current (A), Active Power (W), Apparent Power (VA), Reactive Power (var), Active energy (kWh), Reactive energy (kvarh, capacitive and inductive), Frequency (Hz), Power Factor, RCM on input (mA)
<b>Metering accuracy</b>	Billing-grade accuracy (<0.5%), compliant with, but not certified MID (Measuring Instruments Directive) 2014/32/EU, EN50470-1 (general requirements, test and conditions) and EN50470-3, Class C (static meters for active energy, class C (0.5 precision))
<b>Measurement values per inlet</b>	Yes
<b>Measurement values per branch</b>	Yes
<b>Measurement values per module</b>	Yes
<b>Measurement values per outlet</b>	Optional, anytime upgradable with additional licence
<b>Load curves storage</b>	High resolution load curves (one sample/second) for 2+ hours. Load curves stored in non-volatile memory for 60+ days (1 minute interval)
<b>Outlet switching</b>	No
<b>Environmental sensor interfaces</b>	3x AUX ports for external sensors (temperature and humidity sensor, other sensors on request)
<b>Alarms</b>	Free setting of 4 thresholds on: <ul style="list-style-type: none"> <li>- single outlets, modules, branches or phases</li> <li>- for current, voltage, etc. Temperature and humidity</li> <li>- for RCM AC and DC on inlet</li> </ul>
<b>Display</b>	Large auto-orienting 2.4" graphic full-color TFT display
<b>Network interfaces</b>	2x Gigabit Ethernet ports with <ul style="list-style-type: none"> <li>- Power over Ethernet (PSE and PD) and</li> <li>- internal Gigabit switch for cascading an unlimited number of UPDUs</li> </ul> 1x 100Mbit Ethernet port
<b>Remote management / protocols</b>	Console (serial), Telnet, DHCP, SNMP v2, NTP, HTTP, HTTPS, IPv4, RSTP, REST API, SSH, Syslog Coming soon: Modbus TCP, SNMP v3, IPv6, SMTP(S), LDAP(S), LLDP, LUA Scripting. Other protocols on request
<b>USB</b>	2x high-speed USB Ports (type A)
<b>Quick select button</b>	Yes, on each Power Outlet Module

## Input specification

<b>Power rating</b>	22kVA, 400V, 3x32A, 3LNPE
<b>Nominal input voltage</b>	400Vrms
<b>Maximum input current</b>	3x32A
<b>Rated input current</b>	3x32A
<b>Frequency</b>	50 - 60Hz
<b>Power capacity</b>	22kVA
<b>Inlet cable and plug</b>	3m cable H07RN-F Titanex Premium 4mm <sup>2</sup> , CEE32/5 6h
<b>Inlet cable entry</b>	Front side
<b>Residual Current Monitoring (RCM)</b>	Type B all-sensitive RCM on input

## Output specification

<b>Nominal output voltage</b>	230V
<b>Maximum outlet current</b>	16A
<b>Outlets</b>	36 x C13 IEC 60320 12 x C19 IEC 60320 (6 modules with 6xC13 and 2xC19 each)
<b>Cable locking</b>	Yes, all outlets are compatible with Twylock power cords
<b>Number of branches</b>	6
<b>Overload protection</b>	Thermal-magnetic ABB MCBs 16A, 10kA Interrupting Capacity, Tripping Characteristic: C

## Physical parameters

<b>Color</b>	Black or red or blue powder coated
<b>Product dimensions (W x D x H)</b>	49.8mm x 59.8mm x 2'066mm
<b>Product weight</b>	7kg
<b>Shipping dimensions (W x D x H)</b>	190mm x 120mm x 2'150mm
<b>Shipping weight</b>	9kg
<b>Mounting</b>	Tool-less rack mounting, 2 mounting buttons included Optional top and bottom mounting brackets

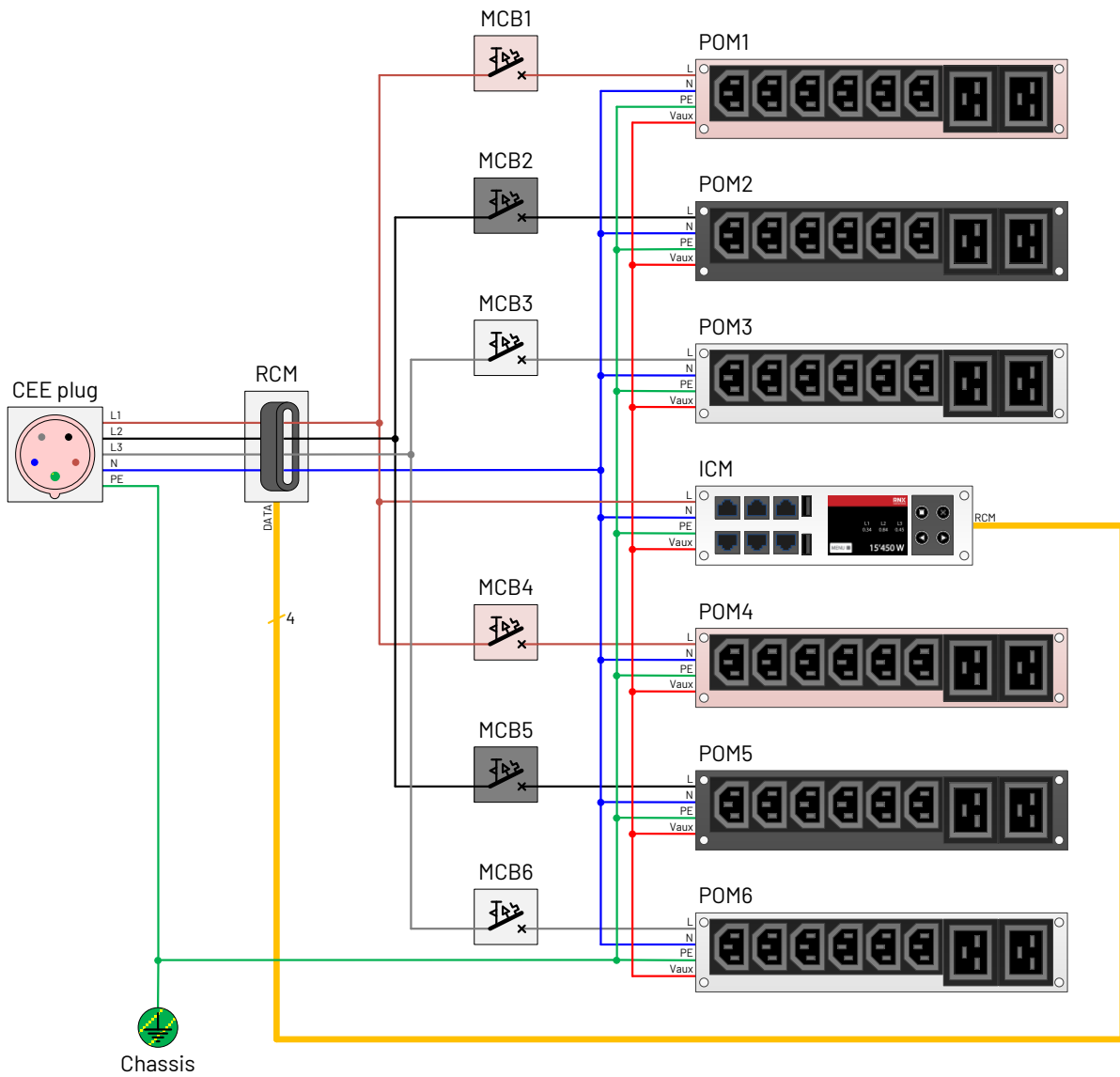
## Environmental parameters

<b>Operating temperature</b>	0 - 60°C
<b>Operating relative humidity</b>	10 - 90%RH non-condensing
<b>Operating elevation</b>	0 - 3'000m

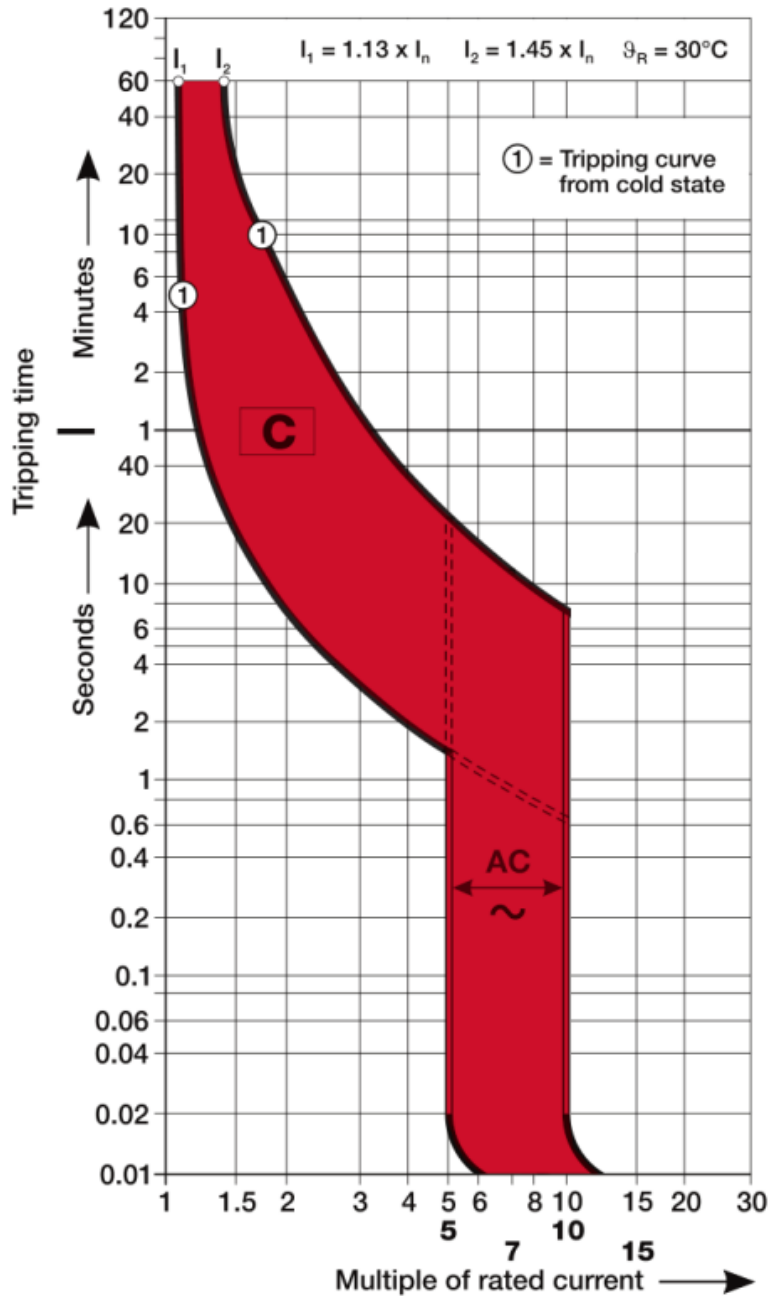
## Product compliance

<b>Certifications/approvals</b>	CE, compliant to IEC/EN 62368-1:2018, EN 55035:2017, EN 61000-6-2:2016, EN 62052-11:2003+A1:2016, Chapter 7.5, EN 301 489-1/x:2017, EN 55032:2015 FCC Title 47, Part 15, Subpart B RoHS (2011/65/EU and 2015/863/EU) REACH WEEE
<b>Warranty</b>	Standard 2 years manufacturer warranty

## Internal wiring



### MCB tripping characteristic (ABB Miniature Circuit Breaker S201M-C16)



**Disclaimer**

Copyright © 2008 - 2021 Riedo Networks Ltd. All rights reserved.  
 RNX and UPDU are registered trademarks of Riedo Networks.  
 Every effort has been made to ensure that the information in this product datasheet is accurate. Anyway, the information in this product datasheet is subject to change without notice and should not be construed as a commitment by Riedo Networks Ltd.  
 Riedo Networks Ltd assumes no responsibility or liability for any errors or inaccuracies that may appear in this product datasheet.