

Universal Power Distribution Unit

RN3514 / RN3515 / RN3516

UPDU Outlet Switched & Metered

3x16A 36C13 12C19 black / red / blue



Product features

Modularity	Yes, fully modular design, all modules assembled from the front and easily replaceable
Metering	Voltage (V), Current (A), Active Power (W), Apparent Power (VA), Reactive Power (var), Active energy (kWh), Reactive energy (kvarh, capacitive and inductive), Frequency (Hz), Power Factor
Metering accuracy	Billing-grade accuracy (<0.5%), compliant with, but not certified MID (Measuring Instruments Directive) 2014/32/EU, EN50470-1 (general requirements, test and conditions) and EN50470-3, Class C (static meters for active energy, class C (0.5 precision))
Measurement values per inlet	Yes
Measurement values per branch	Yes
Measurement values per module	Yes
Measurement values per outlet	Yes
Load curves storage	High resolution load curves (one sample/second) for 2+ hours. Load curves stored in non-volatile memory for 60+ days (1 minute interval)
Outlet switching	Yes, bi-stable 20A high quality relays
Environmental sensor interfaces	3x AUX ports for external sensors (temperature and humidity sensor, other sensors on request)
Alarms	Free setting of 4 thresholds on: <ul style="list-style-type: none"> - single outlets, modules, branches or phases - current, voltage, etc. Temperature and humidity
Display	Large auto-orienting 2.4" graphic full-color TFT display
Network interfaces	2x Gigabit Ethernet ports with <ul style="list-style-type: none"> - Power over Ethernet (PSE and PD) and - internal Gigabit switch for cascading an unlimited number of UPDUs 1x 100Mbit Ethernet port
Remote management / protocols	Console (serial), Telnet, DHCP, SNMP v2/v3, NTP, HTTP, HTTPS, IPv4/v6, RSTP, REST API, SSH, Syslog, Modbus TCP, LDAP, Radius <p>Other protocols on request</p>
USB	2x high-speed USB Ports (type A)
Quick select button	Yes, on each Power Outlet Module

Input specification

Power rating	11kVA
Nominal inlet voltage	230/400V~
Rated inlet voltage	175-415/100-240V~
Maximum inlet current	3x16A
Rated frequency	50 - 60Hz
Inlet connection	3LNPE
Inlet cable and plug	3m cable H07RN-F Titanex Premium 2.5mm ² , CEE16/5 6h
Inlet cable entry	Front side

Output specification

Nominal output voltage	230V~
Rated output voltage	100-240V~
Maximum current per outlet	16A
Outlets	36 x C13 IEC 60320 12 x C19 IEC 60320 (6 modules with 6xC13 and 2xC19 each)
Cable locking	Yes, all outlets are compatible with Twylock power cords
Number of branches	6

Physical parameters

Color	Black or red or blue powder coated
Product dimensions (W x D x H)	49.8mm x 59.8mm x 1721mm
Product weight	6.5kg
Shipping dimensions (W x D x H)	194mm x 110mm x 2'200mm
Shipping weight	8kg
Mounting	Tool-less rack mounting, 2 mounting buttons included Optional top and bottom mounting brackets

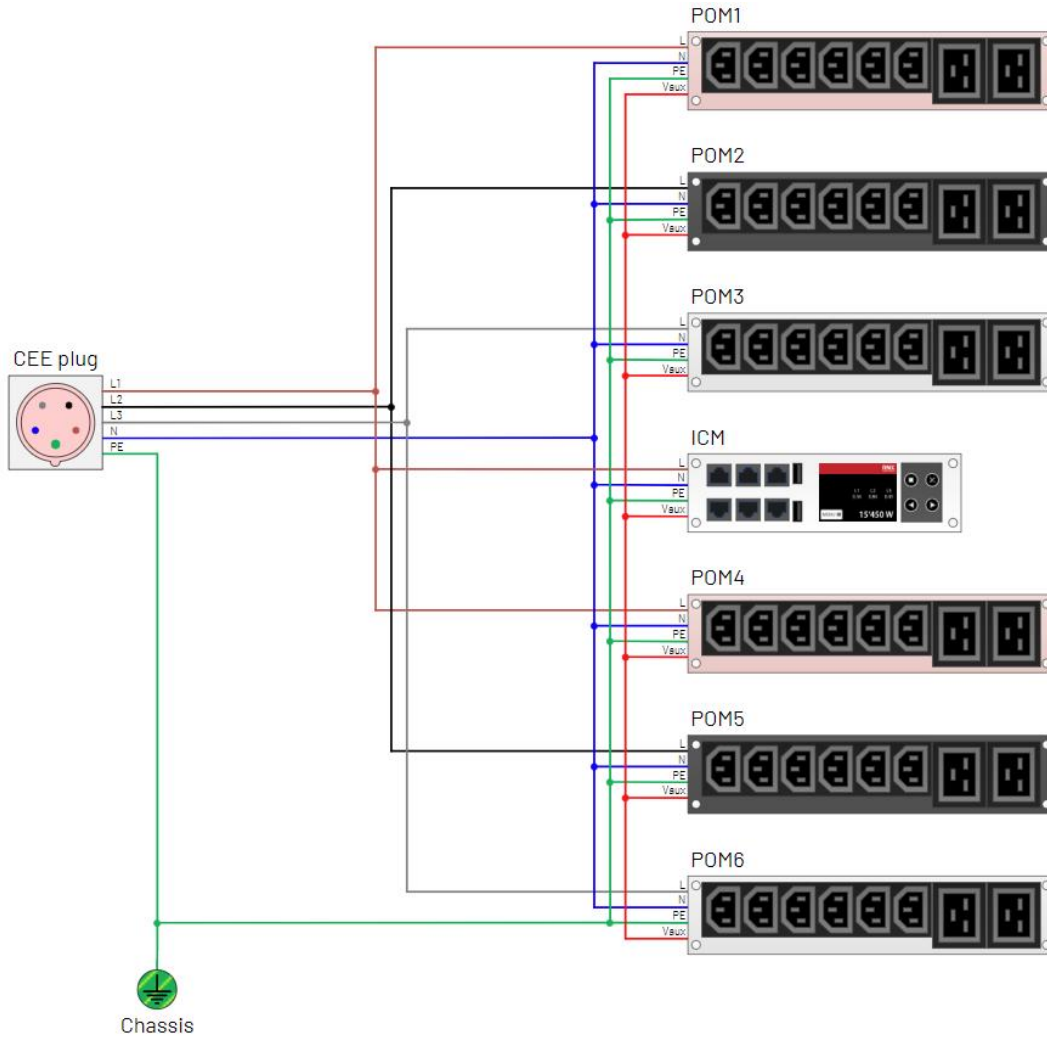
Environmental parameters

Operating temperature	0 - 60°C
Operating relative humidity	10 - 90%RH non-condensing
Operating elevation	0 - 3'000m

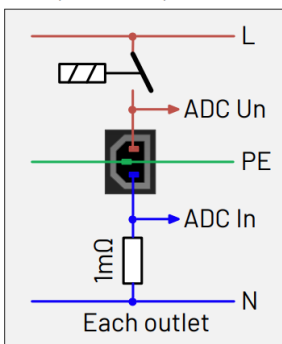
Product compliance

Certifications/approvals	CE, compliant to IEC 62368-1:2018, EN IEC 61000-6-2:2016, ETSI EN 301 489-1:2019, EN 55032:2015, CISPR 32:2015, EN IEC 61000-6-3:2020, RoHS (2011/65/EU and 2015/863/EU)
Warranty	Standard 2 years manufacturer warranty

Internal wiring



POM, Metered, Switched



Disclaimer

Copyright © 2023 Riedo Networks Ltd. All rights reserved.
 RNX and UPDU are registered trademarks of Riedo Networks.

Every effort has been made to ensure that the information in this product datasheet is accurate. Anyway, the information in this product datasheet is subject to change without notice and should not be construed as a commitment by Riedo Networks Ltd.

Riedo Networks Ltd assumes no responsibility or liability for any errors or inaccuracies that may appear in this product datasheet.