

1

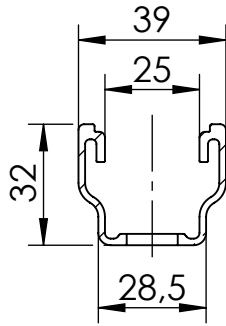
2

3

4

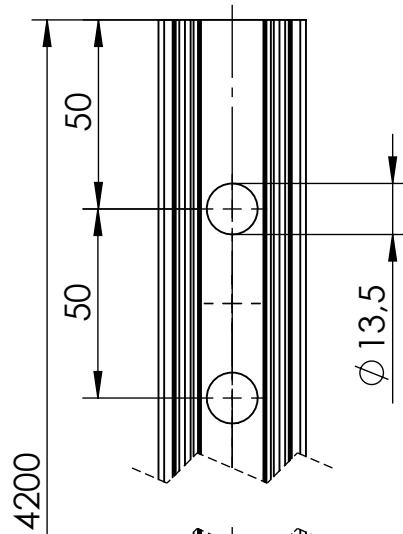
A

Section A-A

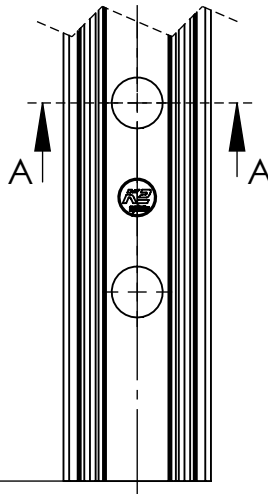


B

C

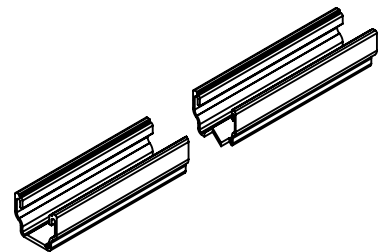


D



E

Isometric
1 : 5



K2 Systems GmbH
 Haldenstr. 1
 71272 Renningen
 Germany
 +49 7159 42059-0

Designation:

Data sheet
PerfoRail M

F

	Name	Date	Material:	Item no.:	2004698	A4
Designed	A. Soumpalas	25.10.2024	EN AW 6063 T66			
Approved	K. Mahboobi	15.01.2025	Surface: mill finish	Drawing no.:	14-035-02	All dimensions in mm
Last change	A. Soumpalas	15.01.2025	Weight: ca. 2612.1 g/pc	Scale: 1:2		Sheet 1 of 1

This drawing is the sole property of K2 Systems GmbH. It is protected by copyright and may only be copied, reproduced or distributed to a third party with explicit permission!