

1

2

3

4

A

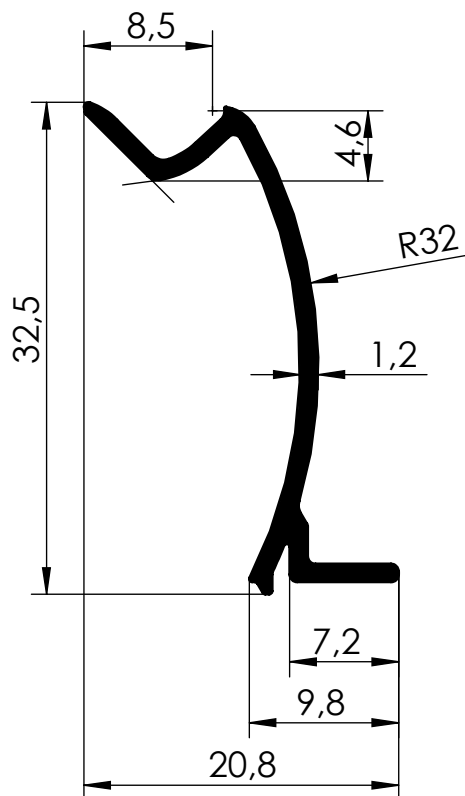
B

C

D

E

F

**Item no.****Designation****Surface**

2004342

InsertionRail 2.0 30 Cover

mill finish

2004319

InsertionRail 2.0 30 Cover Black

anodised



K2 Systems GmbH  
 Industriestr. 18  
 71272 Renningen  
 Germany  
 +49 7159 42059-0

Designation:

Data sheet  
 InsertionRail 2.0 30 Cover  
 Extrusion

Name

Date

Material:

Item no.:

see table

A4

Designed

E. Markou

21.04.2023

EN AW 6060 T66

Approved

M. Aydemir

22.09.2023

Surface: see table

Drawing no.:

04-185-04

All dimensions in mm

Last change

A. Soumpalas

27.03.2024

Weight: ca. 181 g/m

Scale: 2:1

Sheet 1 of 1

This drawing is the sole property of K2 Systems GmbH. It is protected by copyright and may only be copied, reproduced or distributed to a third party with explicit permission!