



ENCL. ACC.
E491171
Type 1, 3R, 4, 12

SZ
1590.010
AX, KX wallmounting brackets
Only for use with Rittal
AX / KX series products



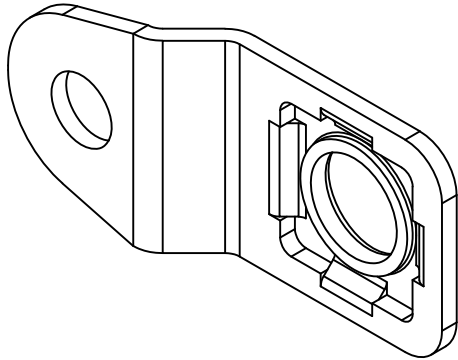
4028177938045



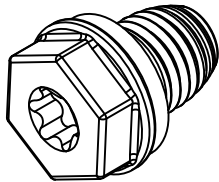
Raum für Verpackungsdatum
Area for date of packing
(MMJJTT / MMYDD)

www.rittal.com

4x



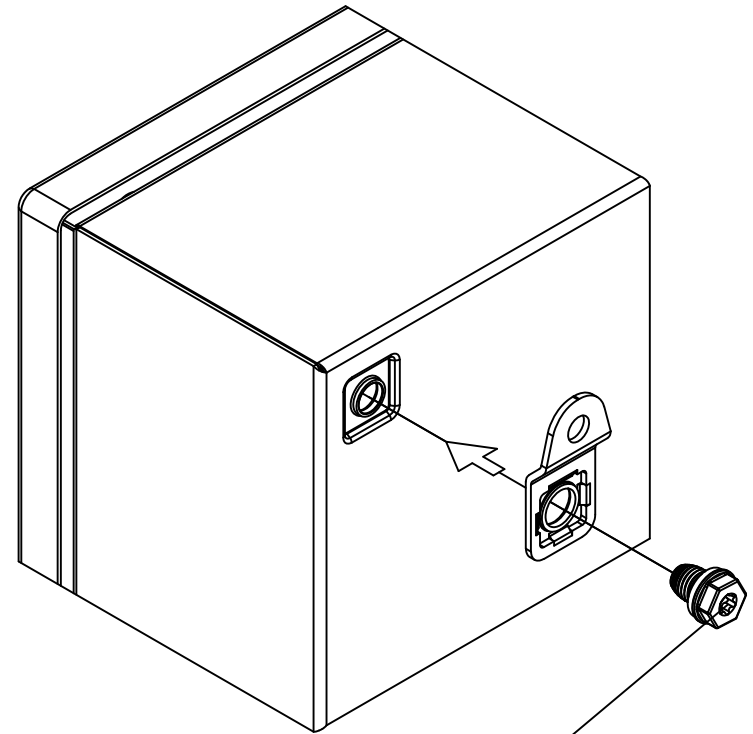
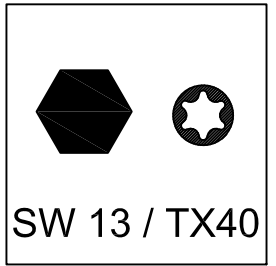
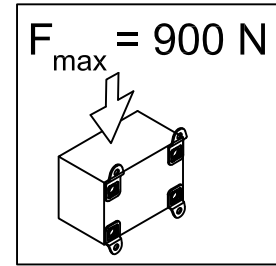
4x



M10 x 13

Zchnng.-Nr. / No. of dwg. : A08890601SZ
Versandbeutel-Nr. / No. of accessory bag : 374268

Made in XXXXX
Lieferanten-Nr. / No. of supplier :



$M_A = 12+1 \text{ Nm}$

