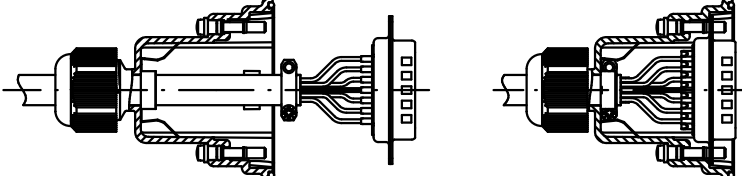
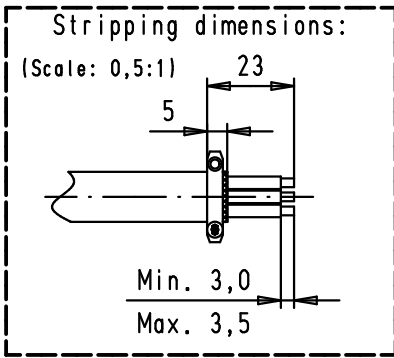


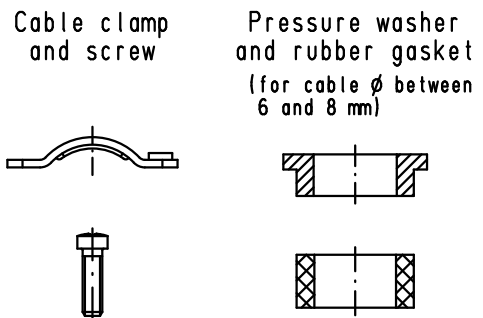
Mounting instructions:
 -The peeled back cable braiding must not extend over the cable clamp, in order not to damage the gasket or to impair its performance



- Pull back cable until cable clamp snaps into shielding plate
- Snap connector into hood



Not mounted parts :



-For rear mounted mating connectors, panel thickness is comprised between 1 and 2 mm for safe contact area
 -Max. torques are 0,4 N.m

09 67 015 0539	M3
09 67 015 0538	4-40 UNC
Part number	Mounting screw thread

			Det.	Name
			29/08/08	PK
			28/10/11	JB
EC03999	28/10/11	SD		
	35427	15/12/08		PK
	35280	29/08/08		PK
Mod.	Det.	Name	HARTING EURL F-95972 Paris	



D-Sub, metallized plastic hood, waterproof IP67, 15 poles, top cable entry with nut

TB 09 67 015 053X

Maßstab/
Scale
1:1
Blatt/ Page
1/1