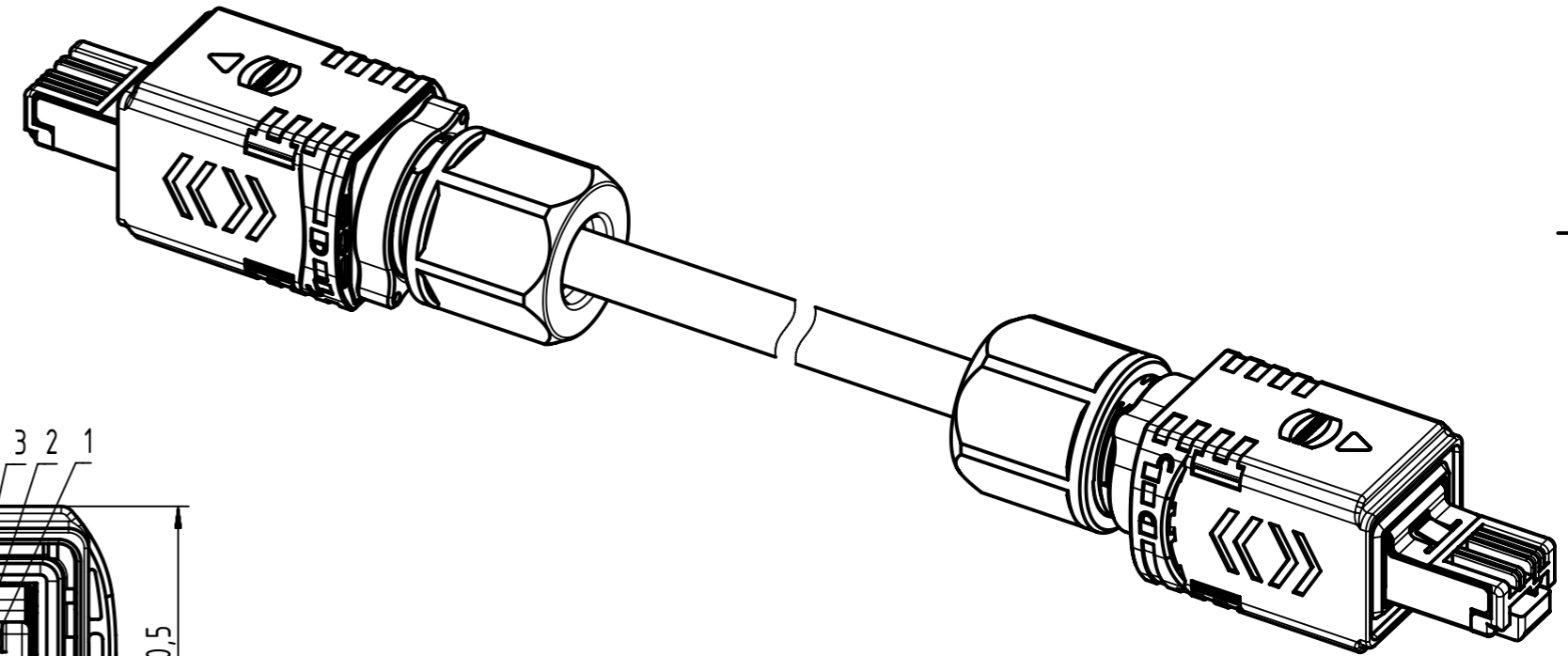
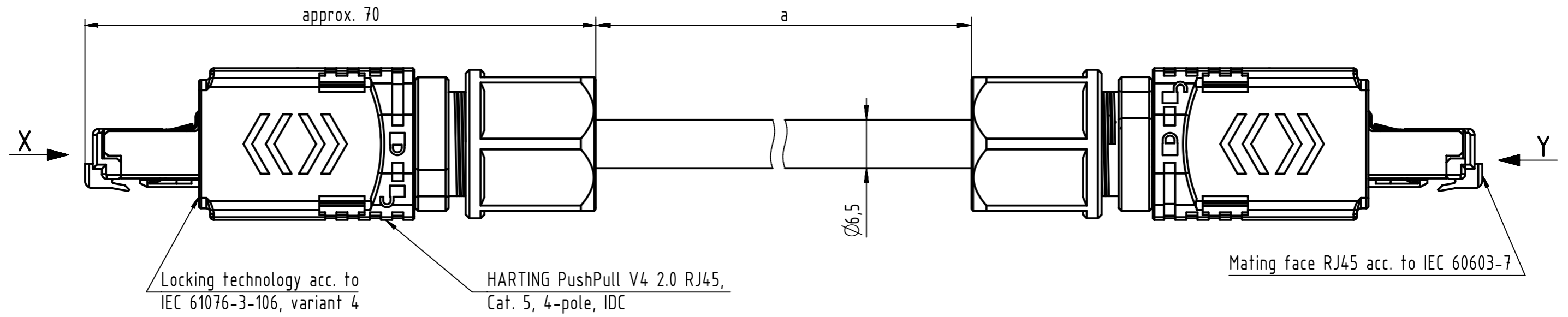


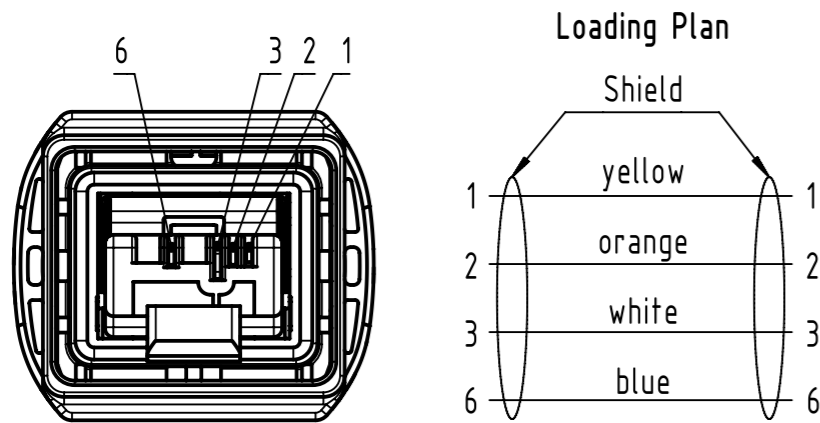
Connector Location A

Connector Location B



X  
male

Y  
male



- Protection level: IP65/67  
 - Temperature range: -40°C ... +70°C

	All rights reserved		Created by STOCHECIC Stocheci		Inspected by COSTEA Costea		Standardisation MUNTEANV Muntean		Date 2019-08-06		State Final Release	
	Department HCS - RO		Title HARTING PushPull RJ45 Cable Assembly		Type TB		Number 0945745XXXX		Doc-Key / ECM-Nr. 100155667/UGD/010/D 500000156280		Rev. D Page 1/2	
All Dimensions in mm Tech. Character. Free size tol. According to production drawing												
HARTING Customised Solutions D-32339 Espelkamp												

