

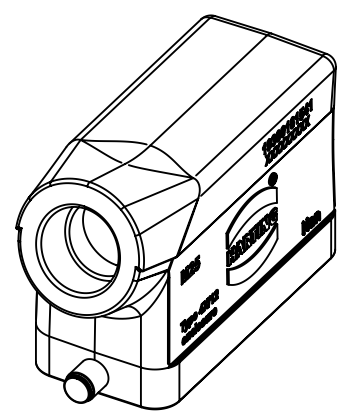
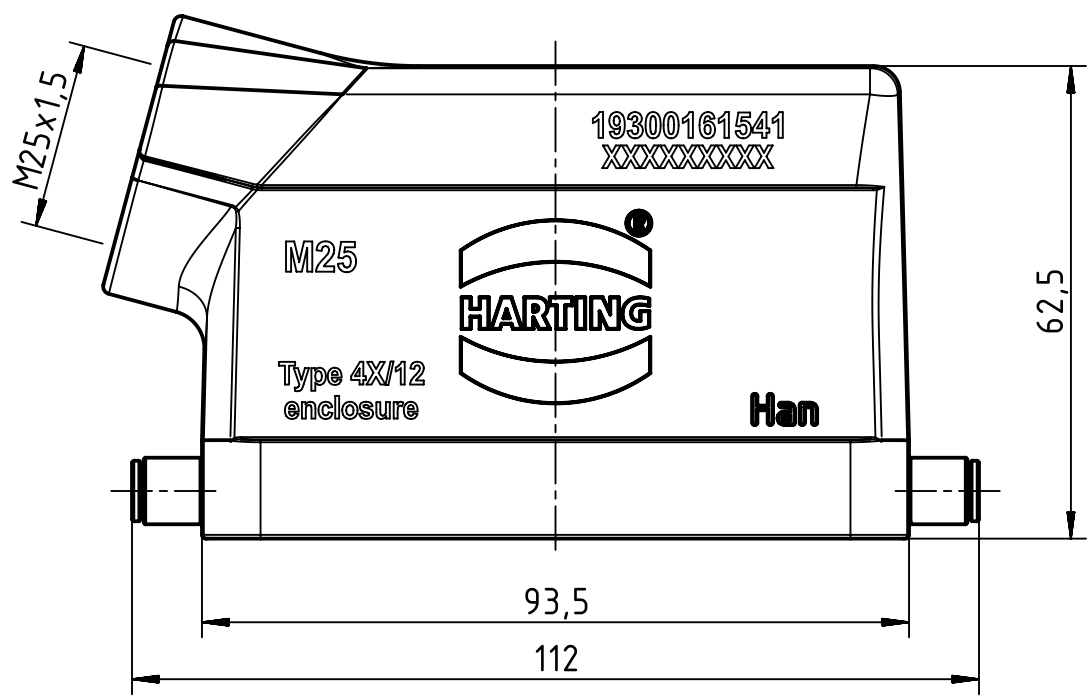
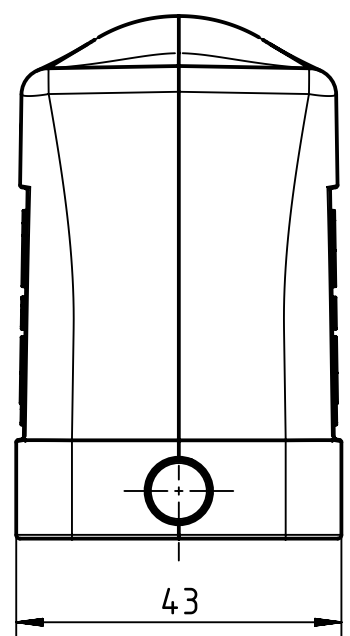
1 2 3 4 5 6

A

B

C

D



	All Dimensions in mm Original Size DIN A4		Scale 1:1	Free size tol.		Ref.		
						Sub.		
	All rights reserved		Created by RULLKOETTER	Inspected by BERGHORN	Standardisation TIEMANNA	Date 2017-01-11	State Final Release	
	Department EL PD - DE		Title Han 16B Hood side entry M25				Doc-Key / ECM-Nr. 1001834.10/UGD/004/C 500000113502	
HARTING Electric GmbH & Co. KG D-32339 Espelkamp			Type TB	Number 19 30 016 1541			Rev. C	Page 1/1