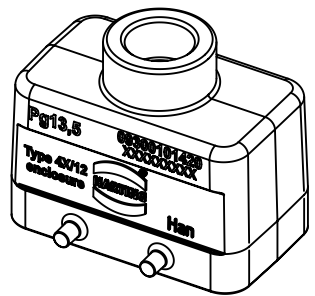
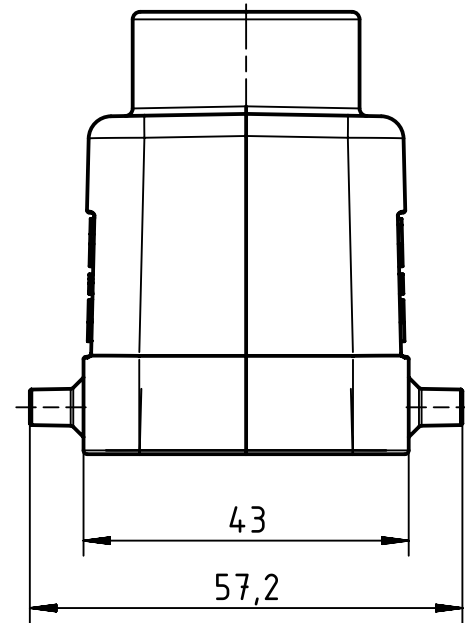
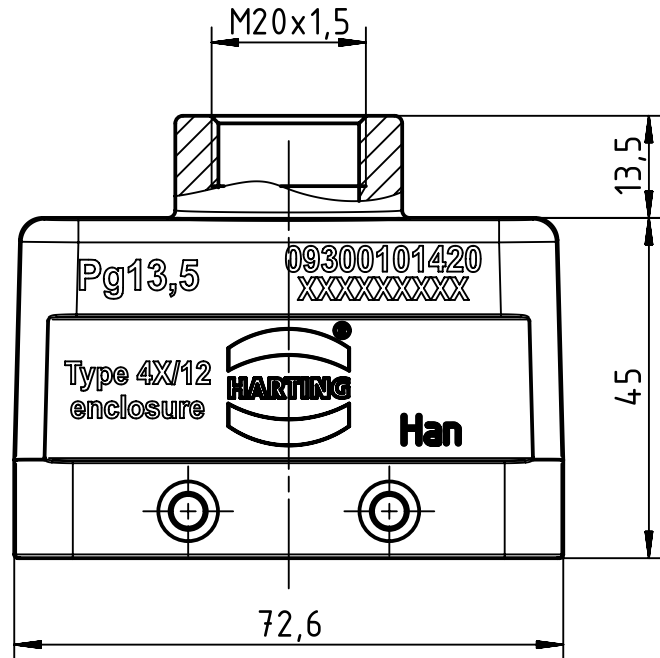


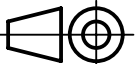

A

B

C

D



 All Dimensions in mm Original Size DIN A4	Scale 1:1		Free size tol.		Ref.
	Created by FINKEV		Inspected by BERGHORN	Standardisation TIEMANNA	Date 2017-03-09
 All rights reserved Department EL PD - DE	Title Han B Hood Top Entry LC 4 Pegs M20				Doc-Key / ECM-Nr. 100192233/UGD/004/B 500000116489
	HARTING Electric GmbH & Co. KG D-32339 Espelkamp		Type TB	Number 19 30 010 1420	
					Page 1/1