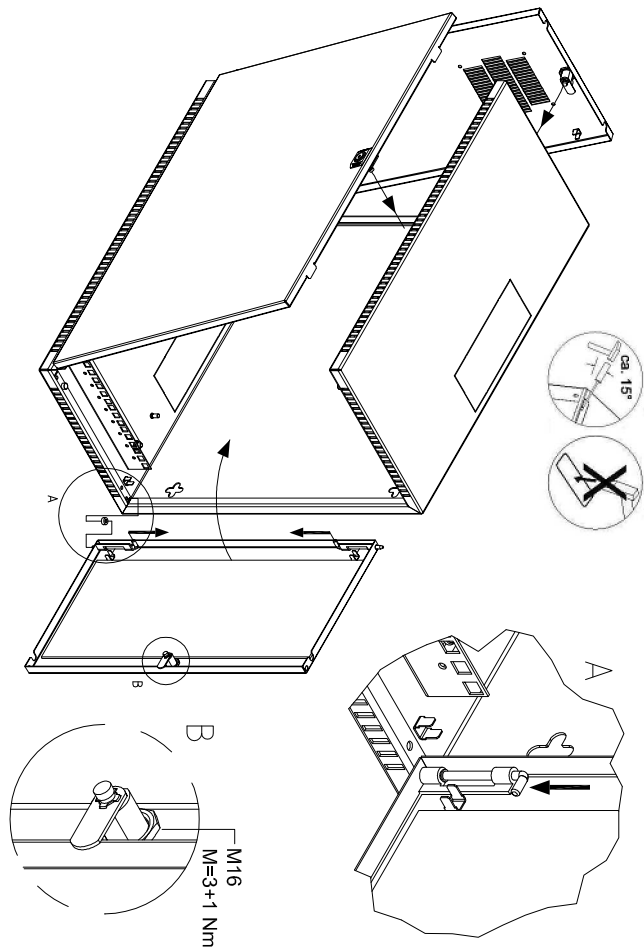


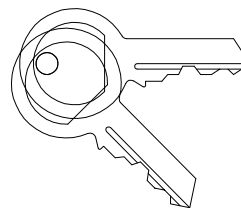
IT
7501.000



Raum für Verpackungsdatum
Area for date of packing
(MMJJTT / MMYDD)



2x



4x



Zchng.-Nr. / No. of dwg. : A4184100IT
Versandbeutel-Nr. / No. of accessory bag : -

Lieferanten-Nr. / No. of supplier :

